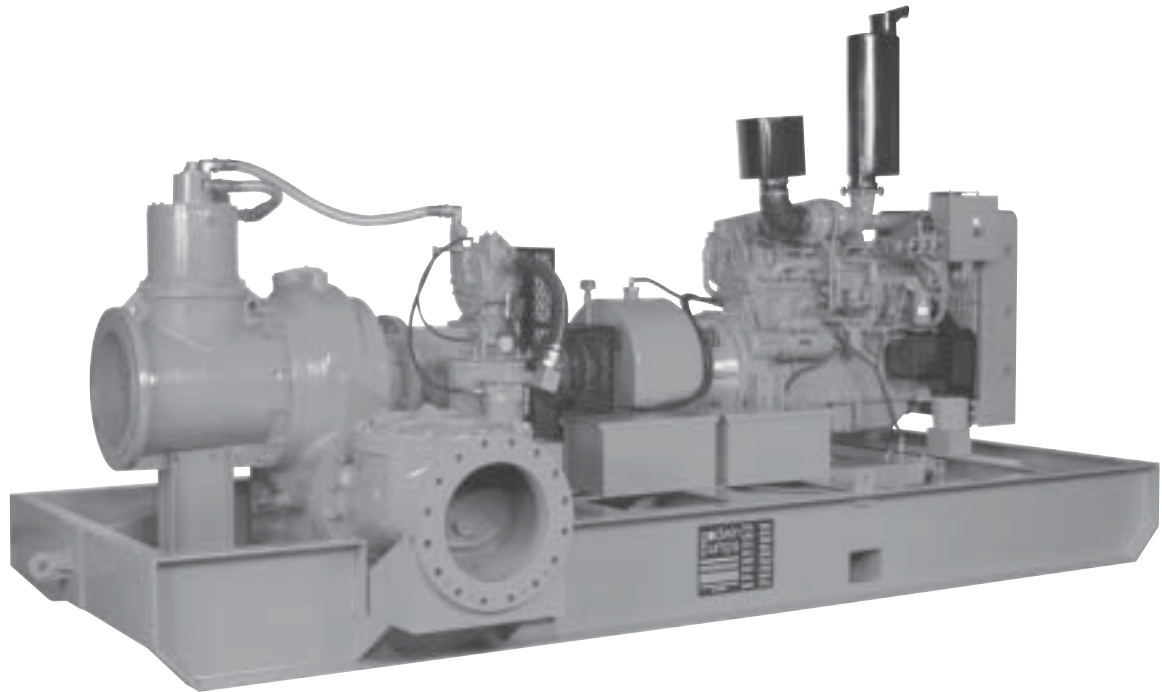


CD400M Dri-Prime® Pumps

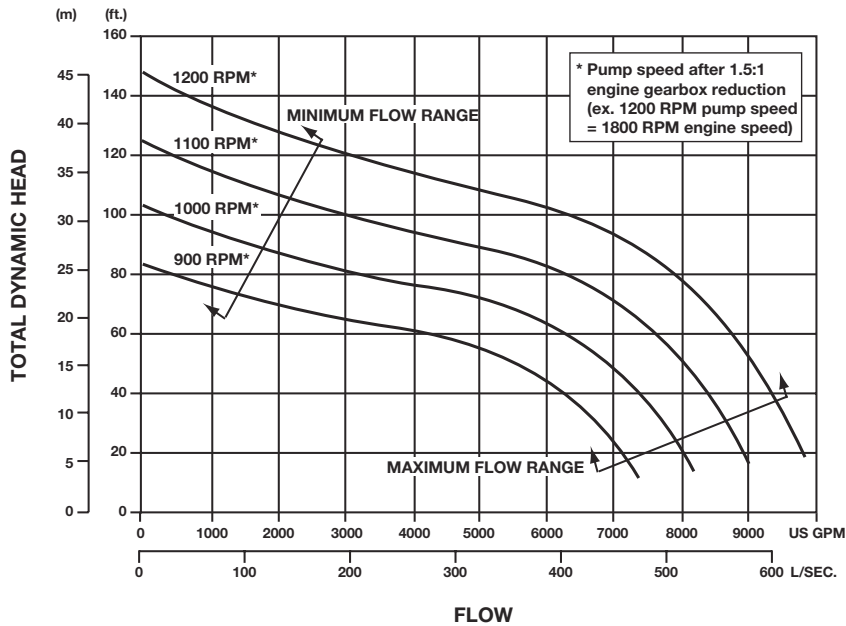


Godwin's CD400M Dri-Prime is an 18" x 16" (450mm x 400mm) centrifugal trash pump perfect for your biggest jobs. Offering flows to 10,000 gallons per minute (631 l/sec.), discharge heads to 150' (46M), and solids handling to 5" (125mm) in diameter, the CD400M moves large volumes of water and provides the ease of automatic priming to 28 feet (8.5M). For intermittent flows, the double high pressure mechanical seal means the CD400M can run dry indefinitely without damage. And the underslung discharge flange makes pump connections easy and efficient. When your job calls for both high volume and high head, the Godwin CD400M is the pump that does it all.

Features

- Direct drive automatic priming 18" x 16" (450mm x 400mm) high volume centrifugal pump with vacuum priming system mounted to the pump unit. Also available in electric drive or as bare shaft pumpend.
- Extensive application flexibility — handles raw sewage, sludges and liquids with solids up to 5" (125mm) in diameter.
- Underslung side discharge for easy pipe connection.
- Double, high pressure mechanical seal with high abrasion resistant silicon carbide interfaces. Oil bath immersion for dry running.
- Skid base mount incorporates forklift pockets and four point lifting eyes for versatility in handling.
- Simple maintenance — normally limited to checking engine oil, vacuum pump oil and seal lubrication.
- Standard Caterpillar C-9 engine. Also available with a variety of other engines including John Deere, Cummins and Deutz.
- Integral 10 gallon service fuel tank, plus convenient connections for attaching to auxiliary fuel cell.

CD400M Performance Curve



Performance Table

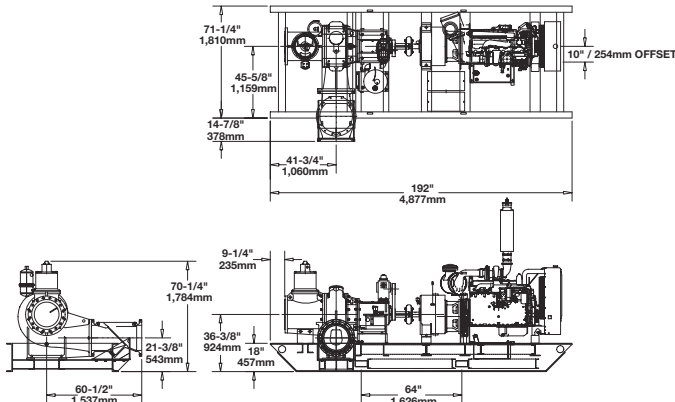
Diesel Set: Caterpillar C-9, 275 hp (205 kw) @ 1800 rpm
Impeller Diameter: 19-11/16 inches (500 mm)

		Total Delivery Head — Feet			
Total Suction		40	60	80	100
Head — Feet		Output — GPM			
10		9250	8700	7800	6000
15		9220	8670	7780	5990
20		8300	7800	7200	5900
25		5600	5400	5200	4700

Performance data listed in table and curves are based on water tests at sea level and 68° F (20° C). Larger diameter pipes may be required for maximum flows.

Dimensions

CD400M — shown with Caterpillar Engine, Skid Base
 Weight: 13,500 lbs. (6,124 kg.)



Specifications

- Maximum Operating Speed:**
 Engine: 1800 rpm
 Pump: 1200 rpm
- Maximum Operating Temperature:**
 +194° F (90° C)
- Maximum Working Pressure:**
 73 psi (5.0 BAR)
- Maximum Suction Pressure:**
 90 psi (6.2 BAR)
- Maximum Casing Pressure:**
 110 psi (7.6 BAR)
- Fuel Consumption** (full load & max. speed):
 Caterpillar C-9:
 13.94 gph (52.8 lph) @ 1800 rpm
- Pipe Connections:**
 18 inch (450mm) ASA 150# Suction
 16 inch (400mm) ASA 150# Discharge
- Solids Handling:**
 5" (125mm) diameter

Materials

- Pump Casing, Suction Cover, Separation Tank, and Wearplates:**
 Close Grained Cast Iron
- Impeller:**
 Cast Steel
- Pump Shaft:**
 1-1/2% Nickel/Chromium Steel
- Non Return Valve Body Ejector Housing:**
 Close Grained Cast Iron
- Non Return Valve Flapper:**
 High Nitrile Rubber
- Mechanical Seal Faces:**
 Solid Silicon Carbide



69 Connie Crescent, Concord, ON L4K 1L3
 PHONE: 905.907.1700 FAX: 905.907.1701
www.aquatechdewatering.com



One Floodgate Road, Bridgeport, NJ 08014, USA
 (856) 467-3636 • Fax: (856) 467-4841
 Quenington, Cirencester, Glos., GL7 5BX, UK
 +44 (0)1285 750271 • Fax: +44 (0)1285 750352

E-mail: sales@godwinpumps.com
www.godwinpumps.com

BRANCH LOCATIONS:

- Connecticut • Pennsylvania • New York • Ohio
- Illinois • Maryland • Virginia • West Virginia
- North Carolina • South Carolina • Georgia
- Florida • Texas • Montana • California • Washington

Dri-Prime® and the color orange for pumps are registered trademarks of Godwin Pumps of America, Inc. Specifications and illustrations are subject to revision without notice. © Copyright 2003-2005 Godwin Pumps of America, Inc. All rights reserved.