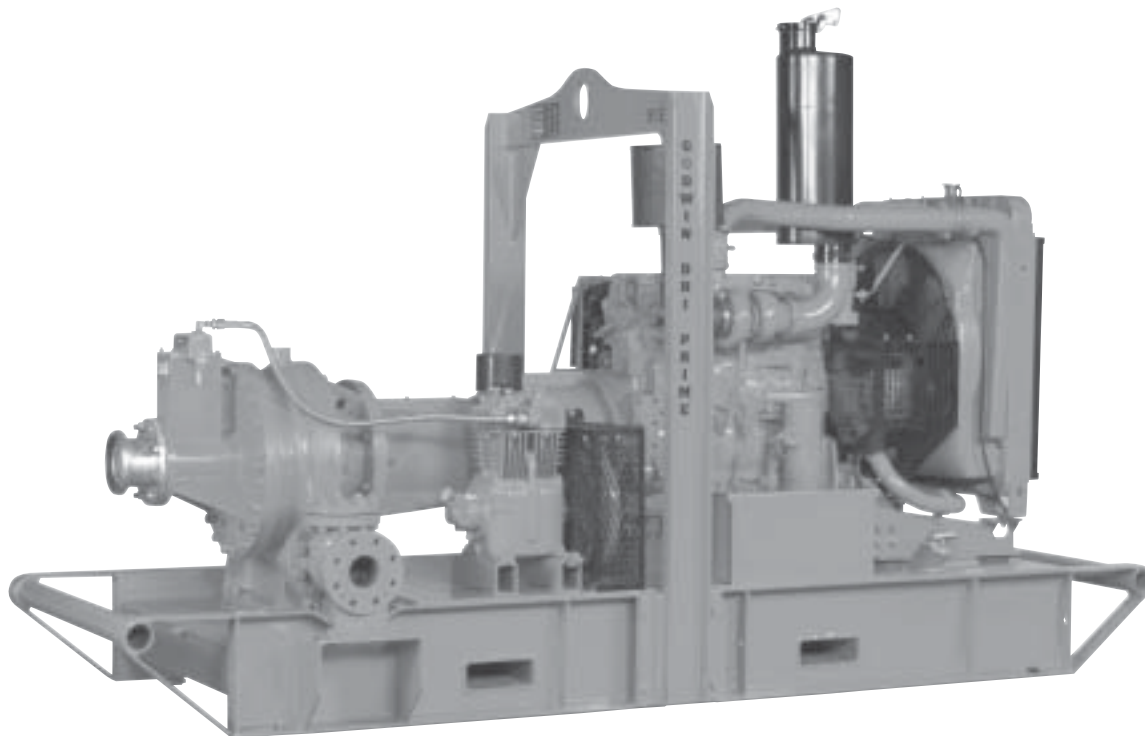


HL130M Dri-Prime® Pumps

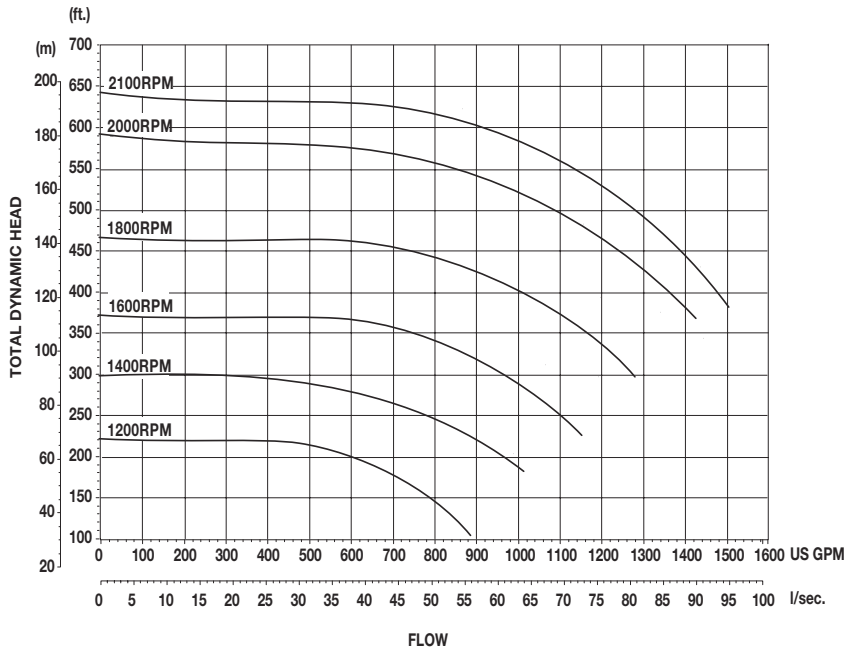


The Godwin Dri-Prime 6" x 4" (150mm x 100mm) HL130M is a heavy duty, fully automatic self-priming pump specifically offered for pumping under discharge pressure conditions or high discharge lift applications. The HL130M offers flowrates up to 1,300 gpm (82 l/sec.), total dynamic heads up to 650 feet (198M), and solids handling up to 1-3/8" (35mm) in diameter. Like all Godwin pumps, the HL130M includes the Dri-Prime air ejector priming system for fully automatic priming up to 28 feet (8.5M) of static suction lift.

Features

- Fully automatic priming from dry to 28 feet (8.5M) of suction lift. Maximum heads to 650 feet (198M). Maximum flows to 1,300 gpm (82 l/sec.).
- Handles liquids with solids up to 1-3/8" (35mm) in diameter.
- Continuously operated venturi air ejector priming system operated by an air compressor requiring no form of periodic adjustment or operator intervention.
- Double, high pressure mechanical seal with high abrasion resistant silicon carbide interfaces. Oil bath immersion for dry running.
- Mounted to a structural steel skid with integral 200 gal. (757 liter) fuel tank and lifting bail.
- Standard engine — Caterpillar C-9 diesel. Other engines available. Electric drive version also available.

HL130M Performance Curve



HL130M Performance Table

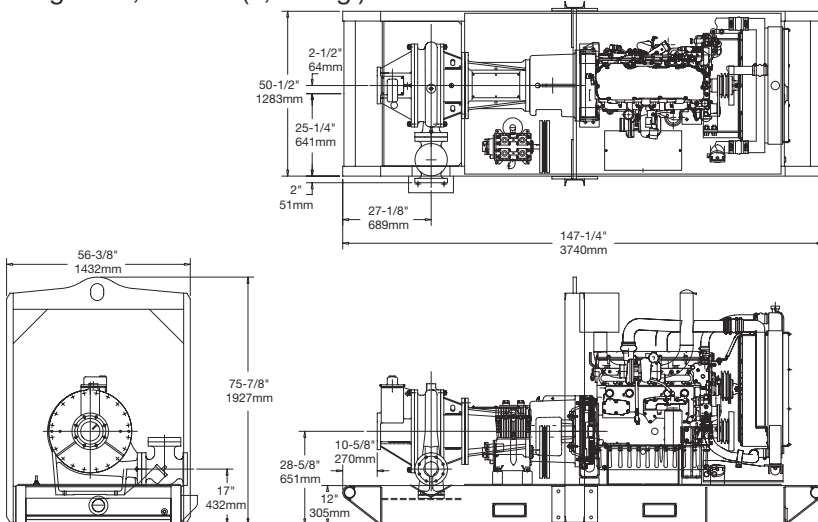
Diesel Set — Caterpillar C-9, 300 hp (205 kw) @ 2200 rpm
Impeller Diameter: 20-1/4" (514 mm)

Total Suction Head – Feet	Total Delivery Head – Feet				
	361	394	459	525	558
		Output – GPM			
10	1404	1334	1201	999	792
15	1391	1320	1188	973	761
20	1382	1307	1171	942	673
25	1373	1298	1157	911	616

Performance data listed in table and curves based on water test at sea level and 68° F (20° C). Maximum flows may require larger diameter pipes.

Dimensions

HL130M — Caterpillar C-9, Skid Base
Weight: 11,500 lbs. (5,227 kg.)



Specifications

- Maximum Operating Speed:**
2100 rpm
- Maximum Operating Temperature:**
194° F (90° C)
- Maximum Working Pressure:**
285 psi (19.6 BAR)
- Maximum Suction Pressure:**
90 psi (6.2 BAR)
- Maximum Casing Pressure:**
425 psi (29.3 BAR)
- Fuel Tank Capacity:**
200 gal. (757 liters)
- Fuel Consumption:**
13.5 gph (51.1 lph)
- Pipe Connections:**
Suction: 6" (150mm) ASA 150
Discharge: 4" (100mm) ASA 300
- Solids Handling:**
1-3/8" (35mm) dia.

Materials

- Pump Casing and Bearing Casing:**
Close grained cast iron
- Impeller:**
Cast chromium steel
- Wearplates:**
Cast chromium iron
- Mechanical Seal:**
Solid silicon carbide faced, oil bath lubricated



Aquatech has two facets to help you with your site specific needs.

For all your Rental and Sales needs call

Aquatech Pump and Power
 Phone: 905-907-7852
 Fax: 905-907-1701

For full "turn-key" contracting solutions call

Aquatech Dewatering Company
 Phone: 905-907-1700
 Fax: 905-907-1701

Email us: info@aquatd.com
 69 Connie Crescent Concord, ON L4K 1L3
 www.aquatd.ca

Dri-Prime® and the color orange for pumps are registered trademarks of Godwin Pumps of America, Inc. Specifications and illustrations are subject to revision without notice. © Copyright 2002-2005 Godwin Pumps of America, Inc. All Rights Reserved.