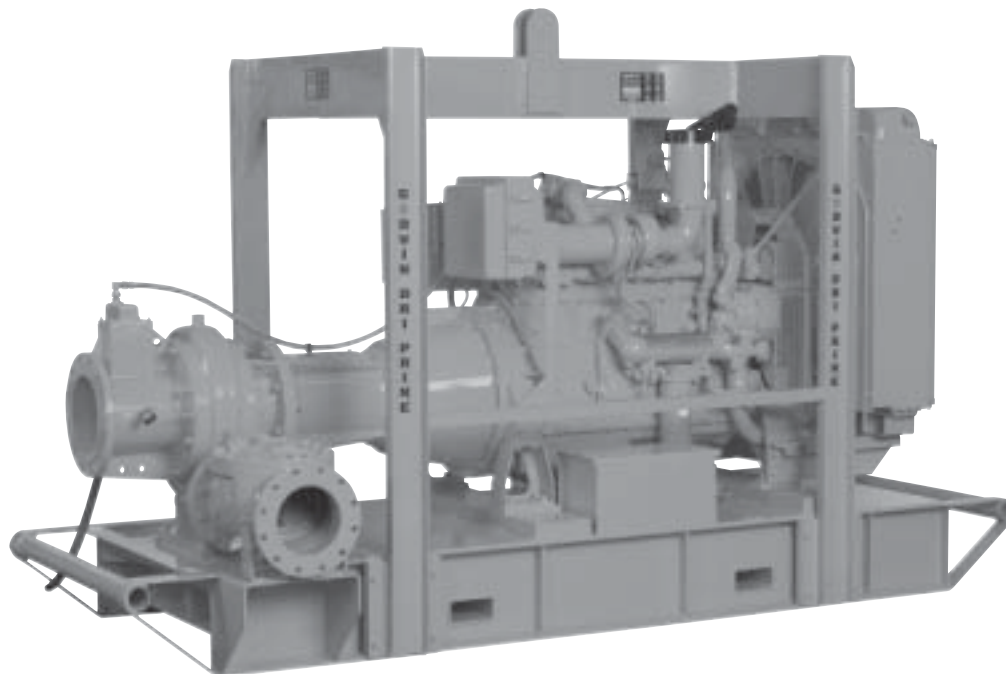


HL250M Dri-Prime® Pumps

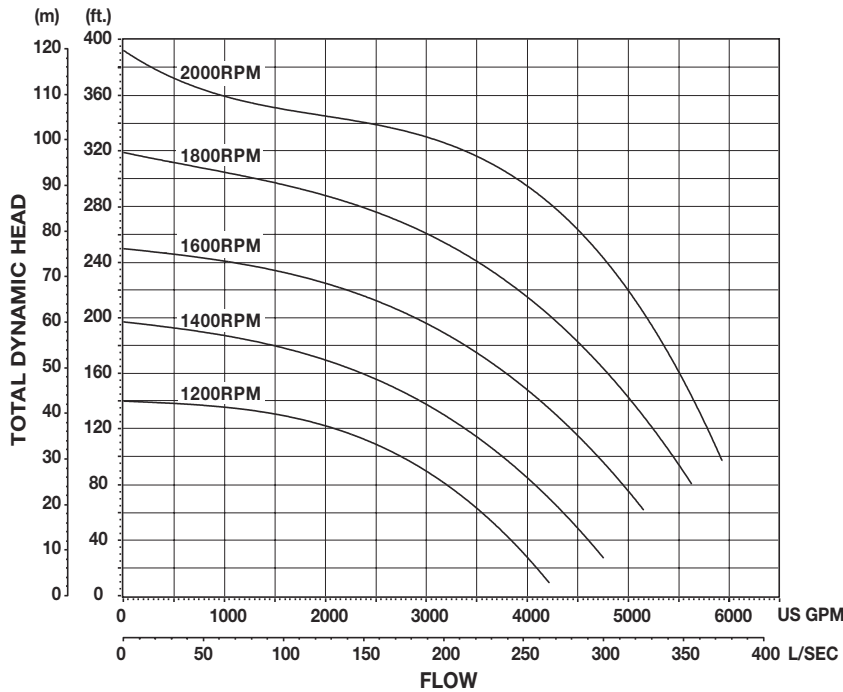


The Godwin Dri-Prime 12" x 10" (300mm x 250mm) HL250M is a heavy duty, fully automatic self-priming pump specifically offered for pumping under discharge pressure conditions or high discharge lift applications. The HL250M offers flowrates up to 5,700 gpm (360 l/sec.), total dynamic heads up to 390 feet (118.9M), and solids handling up to 3" (75mm) in diameter. Like all Godwin pumps, the HL250M includes the Dri-Prime air ejector priming system for fully automatic priming up to 28 feet (8.5M) of static suction lift.

Features

- Fully automatic priming from dry to 28 feet (8.5M) of suction lift. Maximum heads to 390 feet (118.9M). Maximum flows to 5,700 gpm (360 l/sec.).
- Handles sludges and solids-laden liquids with solids up to 2-9/16" (65mm) in diameter.
- Continuously operated venturi air ejector priming system operated by an air compressor requiring no form of periodic adjustment or operator intervention.
- Double, high pressure mechanical seal with high abrasion resistant silicon carbide interfaces. Oil bath immersion for dry running.
- Mounted to a structural steel skid with integral 250 gal. (946 liter) fuel tank and lifting bail.
- Standard engine — Caterpillar 3406C diesel. Other engines available. Electric drive version also available.

HL250M Performance Curve



HL250M Performance Table

Diesel Set — Caterpillar 3406C, 440 hp (328 kw) @ 2000 rpm
Impeller Diameter: 17.3" (440 mm)

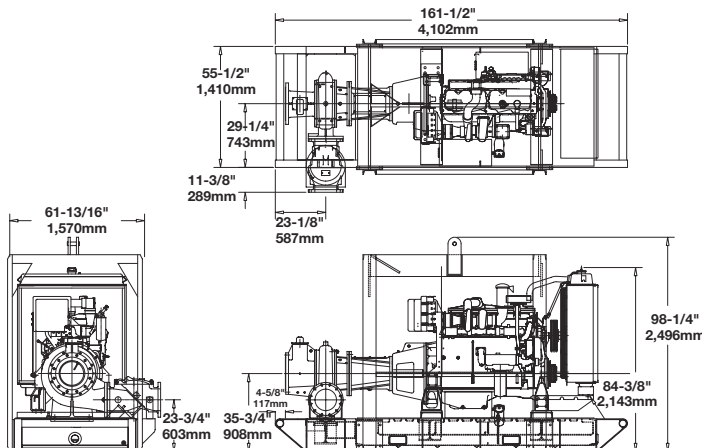
Total Delivery Head — Feet

Total Suction Head — Feet	150	200	250	275
	Output — GPM			
15	4700	4500	4300	3800
20	4200	4000	3600	3500
25	3900	3700	3300	2900

Performance data listed in table and curves based on water test at sea level and 68° F (20° C). Maximum flows may require larger diameter pipes.

Dimensions

HL250M — Caterpillar 3406C, Skid Base
 Weight: 13,500 lbs. (6,109 kg.)



Specifications

- Maximum Operating Speed:** 2000 rpm
- Maximum Operating Temperature:** 194° F (90° C)
- Maximum Working Pressure:** 155 psi (10.7 BAR)
- Maximum Suction Pressure:** 90 psi (6.2 BAR)
- Maximum Casing Pressure:** 240 psi (16.6 BAR)
- Fuel Tank Capacity:** 250 gal. (946 liters)
- Fuel Consumption:** 19.7 gph (74.6 lph)
- Pipe Connections:** Suction: 12" (300mm) ASA 150, Discharge: 10" (250mm) ASA 150
- Solids Handling:** 3" (75mm) dia.

Materials

- Pump Casing, Bearing Casing, & Non Return Valve:** Close grained cast iron
- Impeller:** Cast chromium steel
- Shaft:** Nickel chrome steel
- Wearplates:** Nickel-Chrome cast iron, replaceable
- Mechanical Seal:** Solid silicon carbide faced, oil bath lubricated



69 Connie Crescent, Concord, ON L4K 1L3
 PHONE: 905.907.1700 FAX: 905.907.1701
 www.aquatechdewatering.com



One Floodgate Road, Bridgeport, NJ 08014, USA
 (856) 467-3636 • Fax: (856) 467-4841
 Quenington, Cirencester, Glos., GL7 5BX, UK
 +44 (0)1285 750271 • Fax: +44 (0)1285 750352

E-mail: sales@godwinpumps.com
 www.godwinpumps.com

BRANCH LOCATIONS:

- Connecticut • Pennsylvania • New York • Ohio
- Illinois • Maryland • Virginia • West Virginia
- Georgia • South Carolina • North Carolina
- Florida • Texas • Montana • California • Washington

Dri-Prime® and the color orange for pumps are registered trademarks of Godwin Pumps of America, Inc.
 Specifications and illustrations are subject to revision without notice.