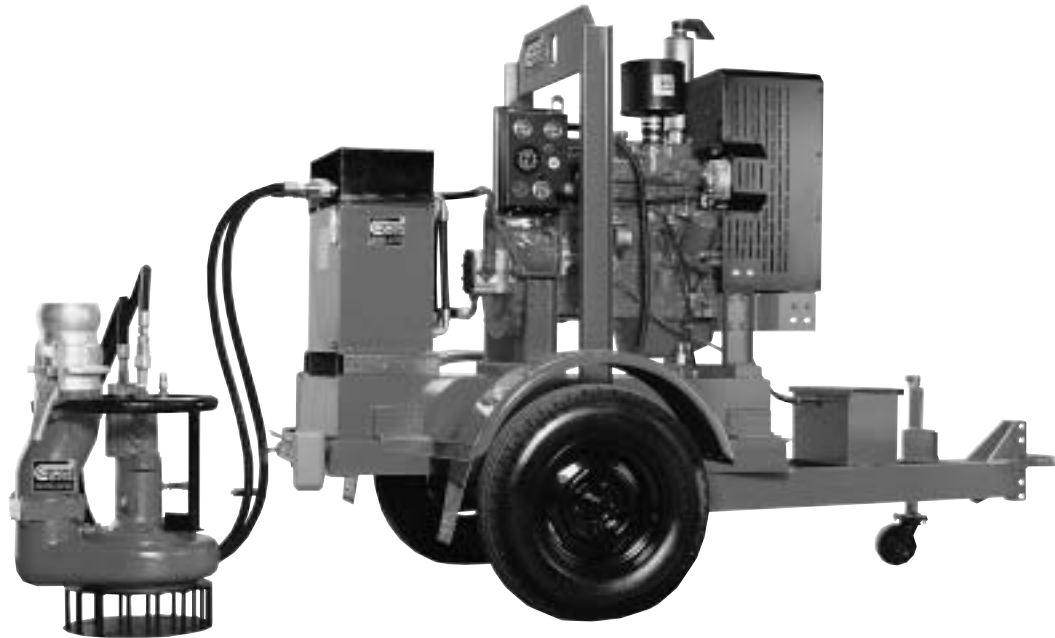


# Heidra® 150MR Hydraulic Submersible Pumps

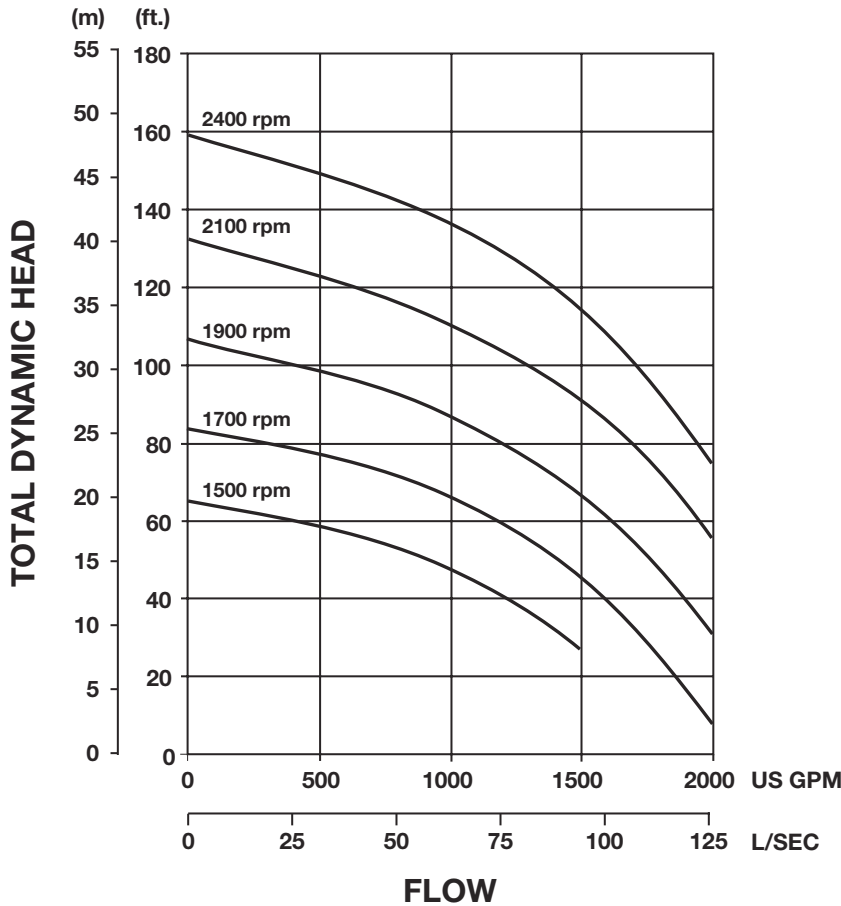


The Godwin 6" (150mm) Heidra 150MR hydraulic submersible pump offers improved performance and operating efficiencies that cannot be matched by standard electrical submersible models. With variable speed diesel engine power, the Heidra 150MR can meet a variety of flow and head requirements up to 1900 gpm (120 l/sec.) and 160 feet (48.8M) of total dynamic head with a simple throttle adjustment. Add the ability to pass solids to 3" (75mm) in diameter, dry running capabilities, a cast chromium steel impeller, and you have a rugged dewatering/solids-handling, self-contained hydraulic submersible pump ready to go anywhere.

## Features

- Rugged construction featuring cast iron pumping chamber and cast chromium steel impeller.
- The pump has independent bearings from the hydraulic gear motor, so pump loads do not affect gear motor performance.
- Double mechanical seal in its own clean oil bath allowing for indefinite dry running. Outboard seal: silicone carbide. Inboard seal: carbon or ceramic.
- Standard impeller is designed for general pumping, slurries and sludges. Available vortex impeller provides greater solids-handling capabilities.
- Gear motor connections are standard two-bolt SAE flange.
- For ease of maintenance, the gear motor has a "plug-in" connection to allow for quick changeover when required.

# Heidra® 150MR Performance Curve

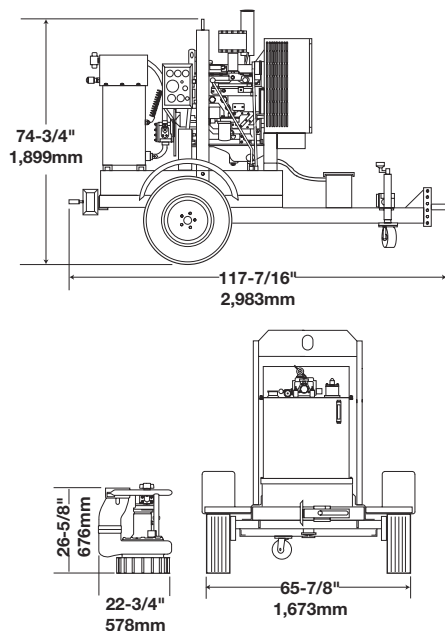


Performance data from curve based on water tests at sea level and 68° F (20° C). Larger diameter pipes may be required for maximum flows.

## Dimensions

**Weights (approx.)**

Pump 355 lbs. (161 kg.)  
 Power Pack 2,996 lbs. (1,359 kg.)



## Specifications

### Submersible Pump:

Hydraulic Motor: Gear Type  
 Drive Pressures: Up to 3500 psi (241 BAR)  
 Flow: Up to 32 gallons (121 liters)  
 Pump Speed: Up to 2200 rpm (approx.)  
 Impeller Diameter: 11" (279mm)  
 Solids Handling: 3" (75mm) in diameter  
 Weight: 355 lbs. (161 kg.)  
 Discharge: 6" (150mm) FNPT  
 Hydraulic Connections: 1" (25mm) Wingnut Quick Disconnect fittings  
 Strainer: M.S. Fabrication nylon coated with 2.75" (70mm) square apertures

### Power Pack:

Engine: John Deere 4045D  
 72 hp (53 kw) @ 2400 rpm  
 Caterpillar 3054NA  
 74 hp (55 kw) @ 2200 rpm  
 Hydraulic System: Two pipe open circuit  
 Hydraulic Reservoir Capacity:  
 40 gallons (151 liters)  
 Control: Via variable speed engine  
 Hydraulic Pump: Gear type  
 Output Flow: 32 gallons (121 liters)  
 Output pressure: 3500 psi (241 BAR)  
 Suction Filter: 125 micron pleated gauze  
 Return Line Filter: 20 micron  
 Hydraulic Pipe Connections: 1" (25mm) Wingnut Quick Disconnect fittings

## Materials

**Pump Casing and Suction Cover:** Cast Iron  
**Bearing & Seal Housing and Front Wearplate:** Cast Iron  
**Pump Shaft:** Medium Carbon Steel  
**Impeller:** Cast Steel  
**Rear Wearplate:** Mild Steel  
**Mechanical Seal:** Double mechanical seal in oil bath  
 Outboard: Silicone Carbide  
 Inboard: Carbon or Ceramic  
**Lifting Bracket:** Fabricated Mild Steel tube & plate



Aquatech has two facets to help you with your site specific needs.

For all your Rental and Sales needs call

**Aquatech Pump and Power**

Phone: 905-907-7852

Fax: 905-907-1701

For full "turn-key" contracting solutions call

**Aquatech Dewatering Company**

Phone: 905-907-1700

Fax: 905-907-1701

Email us: info@aquatd.com

69 Connie Crescent Concord, ON L4K 1L3

www.aquatd.ca

Heidra® and the color orange for pumps are registered trademarks of Godwin Pumps of America, Inc. Specifications and illustrations are subject to revision without notice.

© Copyright 2003 Godwin Pumps of America, Inc. All rights reserved.

GPASL.060.303