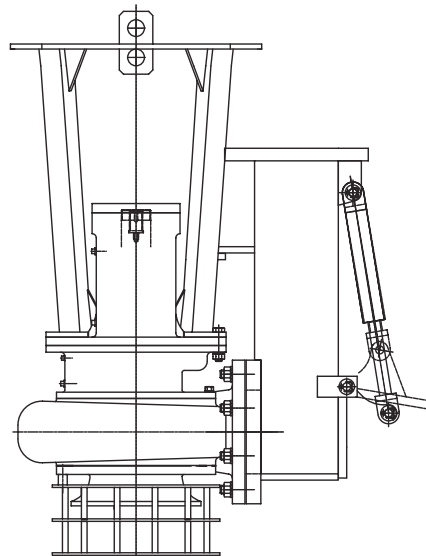
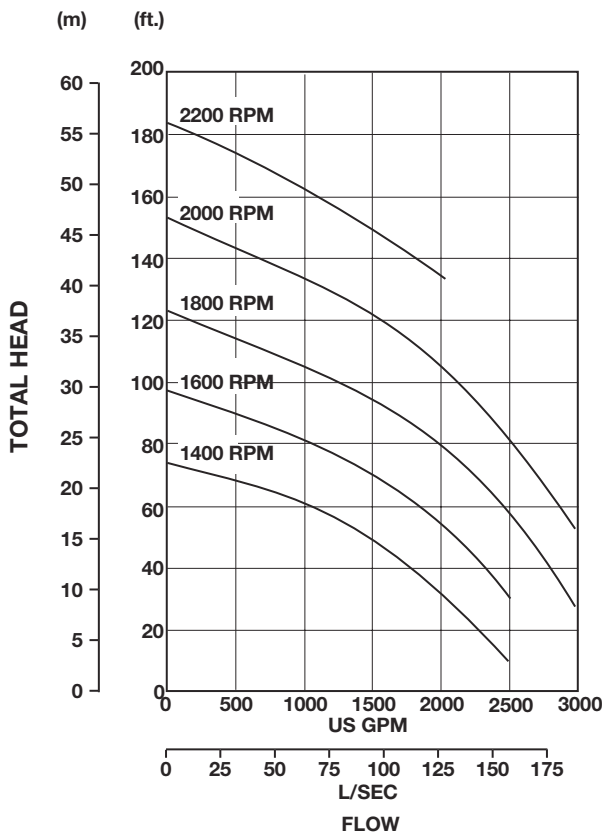


Heidra® HS200SG Slurry Gate Hydraulic Submersible Trash/Sludge Pump



The Heidra HS200SG is a versatile, 8" (200mm) hydraulic submersible pump capable of passing large solids up to 3-1/8" (79mm), stringy materials and slurries. A remotely-operated slurry gate allows the pump to act as a mixer, ideal for pumping thick, viscous, solids-laden sludges, such as those found in WWTP digesters, environmental clean-ups and API separators at refineries.

Features

- Semi-open impeller — will pass solids up to 3-1/8" (79mm) in diameter.
- Lightweight construction for ease-of-portability.
- Oil bath mechanical seal for dry running capability.
- Variable speed.
- Safe hydraulic drive can be used where electric power is hazardous.
- Available in ductile iron and stainless steel. Aluminum available upon request.
- Operates with a variety of hydraulic power packs.

Specifications

Weight	830 lb. (377.3 kg.)
Height	51.1" (940mm)
Width	42.6" x 28.4" (1082mm x 722mm)
Discharge	Flanged 8" (200mm) NPT (F)
Inlet	8" (200mm) 125#
Solids Handling	3-1/8" (79mm)
Hose Ports	1-1/4" (32mm)
Pump Body	Cast Iron
Impeller	Cast Chromium Steel
Wearplate	Cast Iron
Shaft	Medium Carbon Steel
Hydraulic Oil	214-320 s.s.u. @ 100° F (32° C)
Input Flow	Up to 57 gpm / 3.6 l/sec. (Std.)
Operating Pressure	Max. 4000 psi (276 BAR)
Power Source	Any open center hydraulic system

Aquatech Pump and Power: Phone: 905-907-7852 • Fax: 905-907-1701
Aquatech Dewatering Company: Phone: 905-907-1700 • Fax: 905-907-1701
 69 Connie Crescent Concord, ON L4K 1L3
 Email us: info@aquatd.com
 www.aquatd.ca

